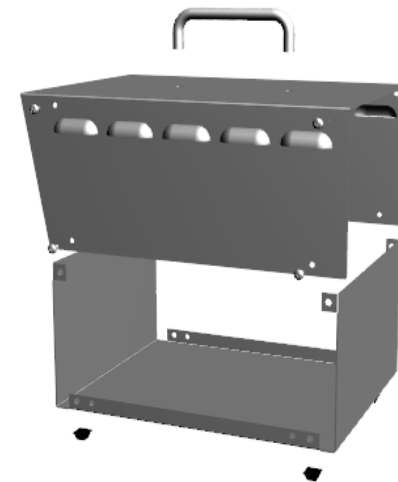
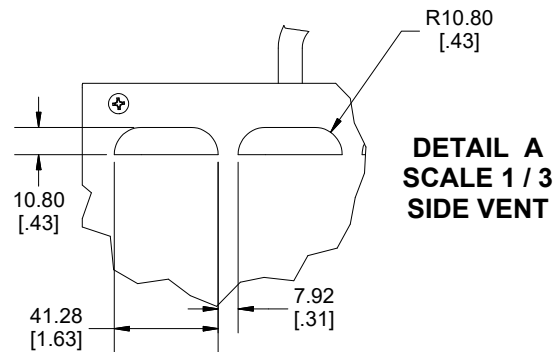
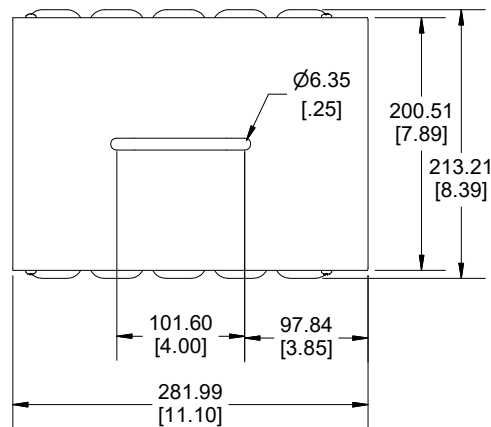
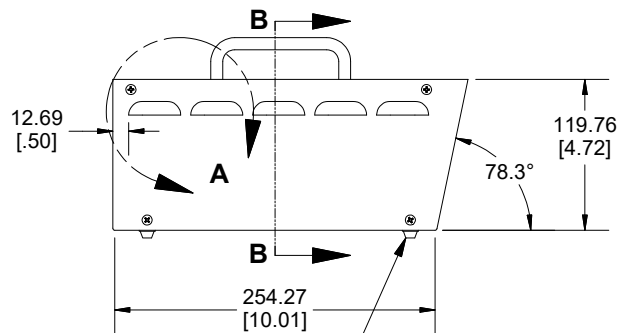


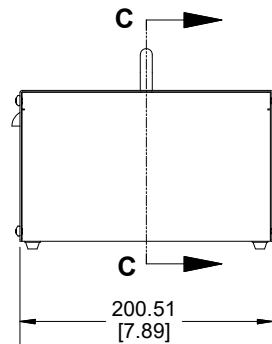
**TOP VIEW OF ENCLOSURE**



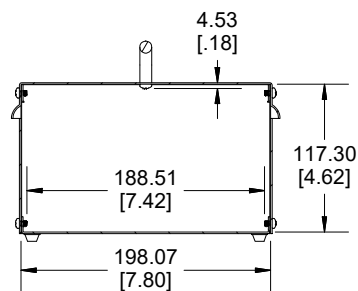
**SDIE VIEW OF ENCLOSURE**



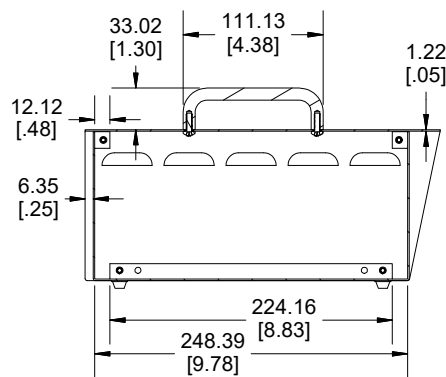
**BACK VIEW OF ENCLOSURE**



ADHESIVE RUBBER FEET



**SECTION B-B  
END VIEW**



**SECTION C-C  
SIDE VIEW**

Enclosures can be Factory Modified (Milling, Drilling, Printing etc.)  
 Contact Factory (modshop@hammfg.com) for quotes  
 Solid models of this enclosure available in .stp or .x\_t  
 (Part number and text placement/orientation on our products are subject to change,  
 we do not recommend using them as a locating reference for modification purposes)

**NOTE**

Case Includes Adhesive Rubber Feet, Handle Kit and Required Hardware.  
 Enclosure Case is Made of 0.05" Steel.

**PART NUMBERS**

518-0910 Enclosure

Smooth Light Grey Top Case  
 Dark Satin Grey Base Case

518-0910

**ACCESSORIES**

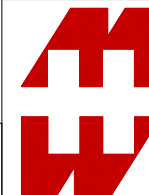
Plated Cover Screws (Pkg 50)  
 [M4 x 6mm Machine screw]

SC19480-50

Black Self-Adhesive Rubber Feet (Pkg 4)

1421T3

Dimensions:  
 mm  
 [inches]



**HAMMOND  
 MANUFACTURING®**

**518-0910**

www.hammondmfg.com