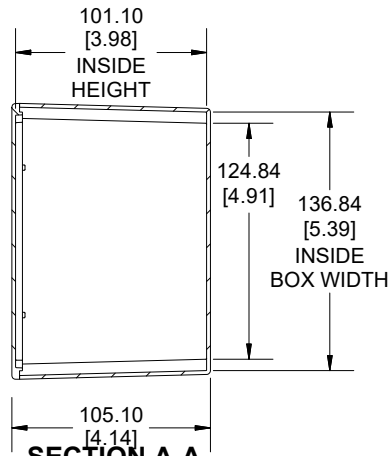
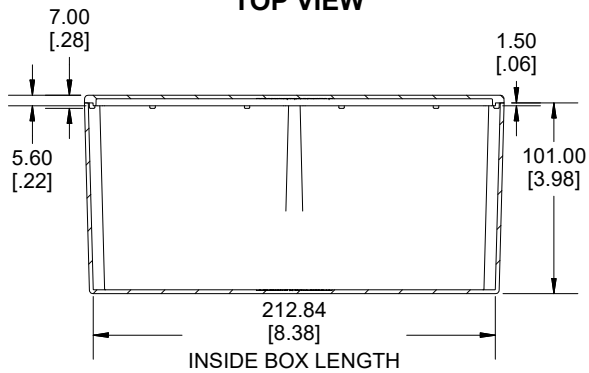
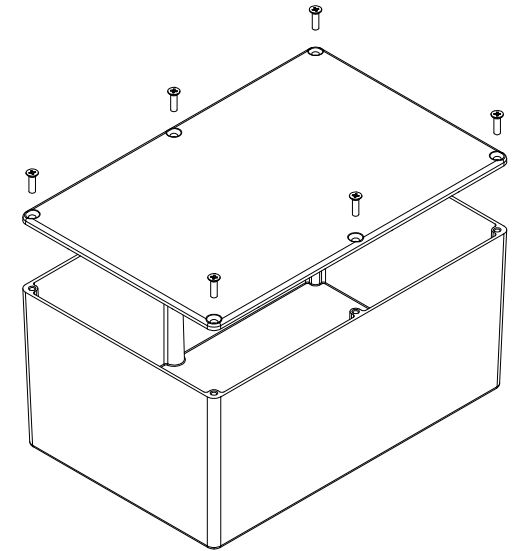


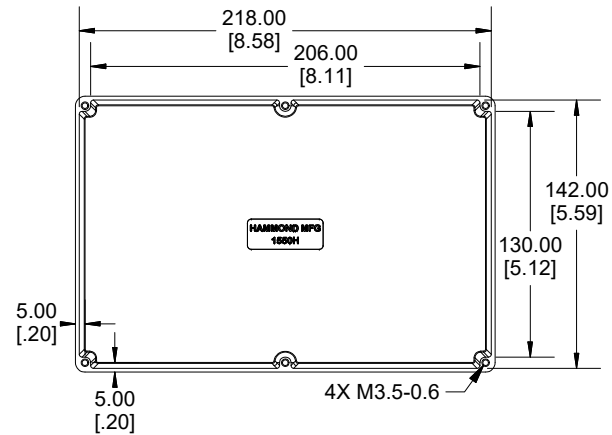
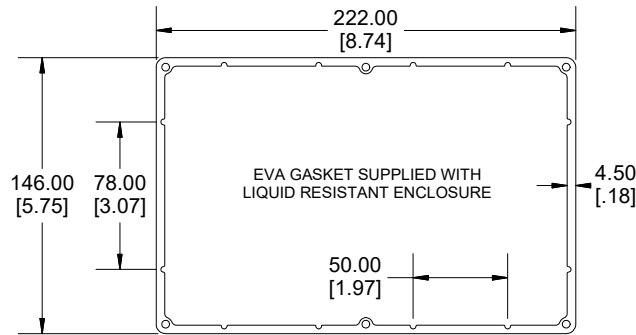
TOP VIEW



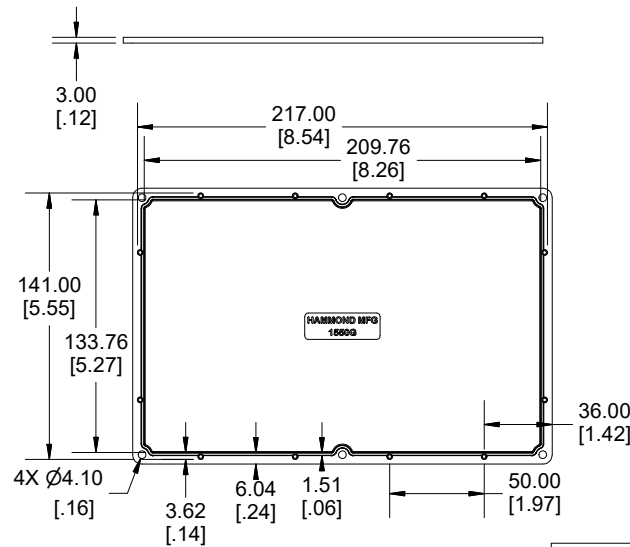
SECTION A-A  
END VIEW



SECTION B-B  
SIDE VIEW



INSIDE BOX



INSIDE LID

Dimensions:  
mm  
[inches]

Enclosures can be Factory Modified (Milling, Drilling, Printing etc.)  
Contact Factory (modshop@hammfg.com) for quotes  
Solid models of this enclosure available in .stp or .x\_t  
(Part number and text placement/orientation on our products are subject to change,  
we do not recommend using them as a locating reference for modification purposes)

**NOTE**

Purchased assembly includes box, lid and 6 cover screws.  
Box and lid are made from Diecast Aluminum Alloy.  
EVA Gasket supplied with liquid resistant enclosure.

**PART NUMBERS**

1550H Enclosure	
Natural Finish Enclosure	1550H
Black Textured Enclosure	1550HBK
1550H Liquid Resistant Enclosure (EVA Gasket)	
Natural Finish Enclosure	1550WH
Black Textured Enclosure	1550WHBK

**ACCESSORIES**

**Recommended Torque: 75 ozf.in / 55 cN.m**

**Standard Cover Screws**

Plated Cover Screws (Pkg 100) [M3.5-0.6 x 12mm]	1550MS100
Black Cover Screws (Pkg 100) [M3.5-0.6 x 12mm]	1550MS100BK
EVA Pre-formed Gasket Black	1550GEGASKET
Silicone Pre-formed Gasket Black	1550GGASKET



1550H

www.hammondmfg.com